

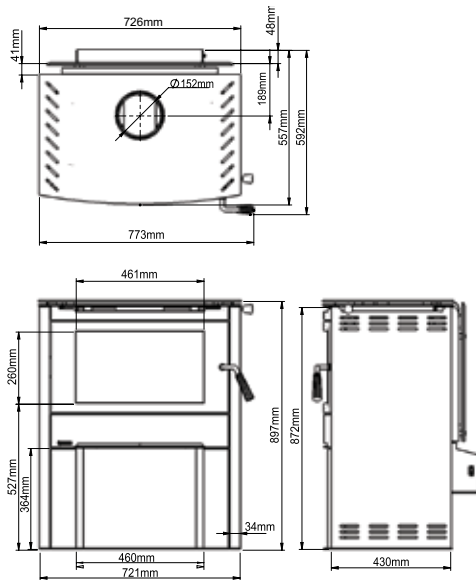
## dimensions

	A*	B	C**	D	E
Cardinia	692	585	463	152	180
Renmark	712	640	497	152	183
Albany	792	688	482	152	194
Gosford	871	770	540	152	167
Hume	859	769	539	152	170
Vancouver	845	610	695	152	168

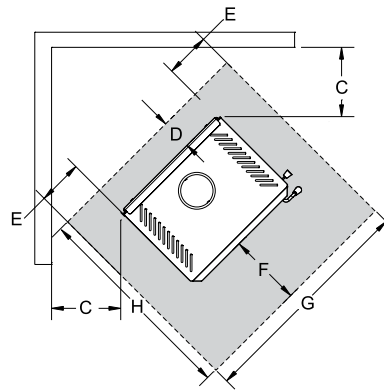
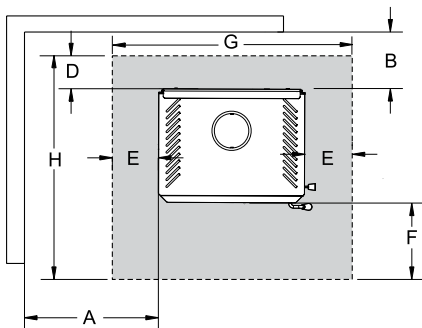
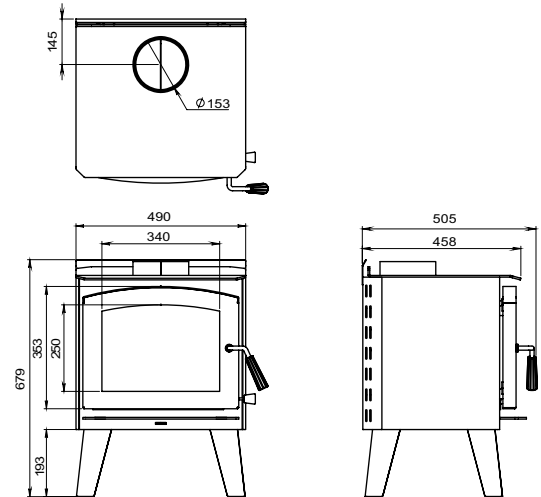
\*Measured to top of flue collar for height (Vancouver)

\*\*Including Ash Lip (Vancouver)

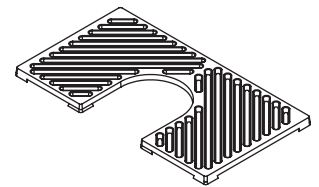
## Alterra



## Narrabri



Cardinia cast cook top



## clearances

Residential Installation			A	B	C	D	E	F	G	H
Alterra	Standard Default Kit(1)		475	160	175	160	78	300	875	969
F175B-1	AHD Special Kit		475	160	175	160	78	300	875	969
Cardinia	Standard Default Kit(1)		700	225	450	192	147	450	880	1105
F150B-1	AHD Special Kit		750	250	450	192	147	450	880	1105
Narrabri	Standard Default Kit(3)		480	200	300	200	200	300	850	950
Renmark	Standard Default Kit(1)		400	100	175	100	120	350	880	914
F180B-1	AHD Special Kit		450	100	175	100	120	350	880	914
Gosford	Standard Default Kit(1)		390	160	200	160	123	380	1015	1080
	AHD Special Kit		420	220	200	220	123	380	1015	1140
Albany	Standard Default Kit(1)		400	100	75	100	96	350	880	932
F200B-1	AHD Special Kit		400	100	125	100	96	350	880	932
Hume	Standard Default Kit(2)		400	180	200	181	123	400	1015	1120
F250	AHD Special Kit		450	300	200	181	123	400	1015	1120
Vancouver	Standard Default Kit(2)	with AirMate	450	125	150	152	200	300	1010	1120
F2402		with Deflector	450	150	225	152	200	300	1010	1145

**Note(1)** STANDARD DEFAULT KIT USED FOR CLEARANCES INCLUDES 1 X 900MM LENGTH OF 130 DEGREE STAINLESS BETWEEN ACTIVE FLUE AND 2 LENGTHS OF DECROMESH

**Note (2)** STANDARD DEFAULT KIT ONLY REQUIRED INCLUDES 2 LENGTHS OF DECROMESH

**Note (3)** STANDARD DEFAULT KIT ONLY REQUIRED INCLUDES 1 LENGTH OF DECROMESH

THIS IS A GUIDE - ALWAYS REFER TO INSTALLATION MANUAL FOR SPECIFICATIONS